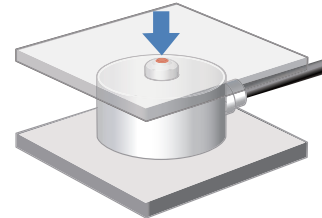


UNBF2

COMPRESSION TYPE LOAD CELL



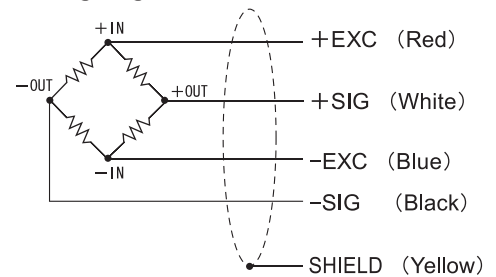
● Application Example



Specifications

Model	Please refer to the Model list	
Rated capacity	30, 50, 100, 200, 300, 500	kN
Rated output	2±0.5%	mV/V
Safe overload	150	%R.C.
Maximum safe overload	200	%R.C.
Zero balance	±10	%R.O.
Non-linearity	0.35	%R.O.
Hysteresis	0.35	%R.O.
Repeatability	0.20	%R.O.
Compensated temperature range	-10 to +60	°C
Safe temperature range	-20 to +70	°C
Temperature effect on zero	0.1	%R.O./10°C
Temperature effect on span	0.1	%R.O./10°C
Input resistance	Approx. 400	Ω
Output resistance	Approx. 350	Ω
Recommended excitation voltage	10	V
Maximum excitation voltage	20	V
Insulation resistance (DC50V)	1000 or more	MΩ
Cable	φ8 4-conductor color shield cable. Length 3m.	
Load cell material	Stainless steel	

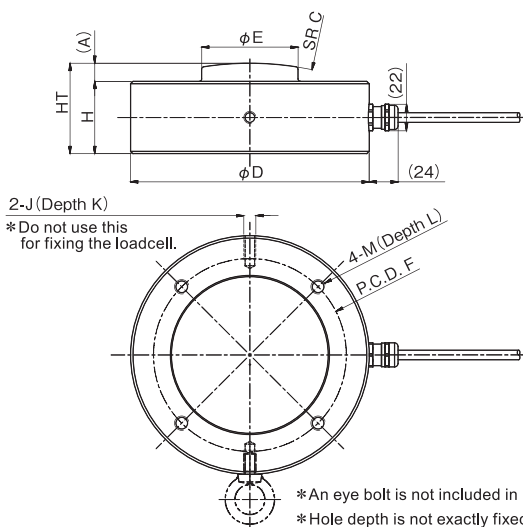
● Wiring Diagram



Model list

UNBF2-30KN	UNBF2-200KN
UNBF2-50KN	UNBF2-300KN
UNBF2-100KN	UNBF2-500KN

External dimension



Model	Deflection at rated	Natural frequency	Weight	A	φD	φE	H	HT	P.C.D.F	M	L	SRC	J	K
UNBF2-30KN	0.13mm	9kHz	1.6kg	5	98	30	33	38	84	M6	7	100		
UNBF2-50KN	0.14mm	12kHz	1.6kg	5	98	30	33	38	84	M6	7	100		
UNBF2-100KN	0.16mm	17kHz	1.6kg	8	98	30	35	43	84	M6	7	150		
UNBF2-200KN	0.2mm	9.4kHz	3.9kg	10	138	50	43	53	110	M8	8	200		
UNBF2-300KN	0.25mm	8.9kHz	6.3kg	12	158	60	53	65	130	M10	10	250	M8	16
UNBF2-500KN	0.35mm	6.2kHz	11kg	15	198	80	60	75	160	M12	12	250	M8	16

* Connector can be attached to the cable according to your requests. Refer to 48 pages for details.

Unit mm