

## COMPACT COMPRESSION LOADCELL

Can measure up to 20kN with diameter of 21mm!



Real size of UCC-20kN

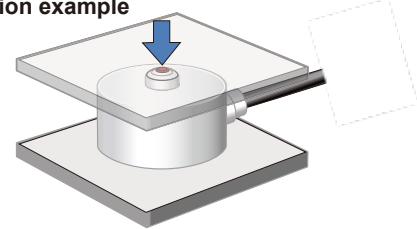
Compact compression type loadcell

# UCC

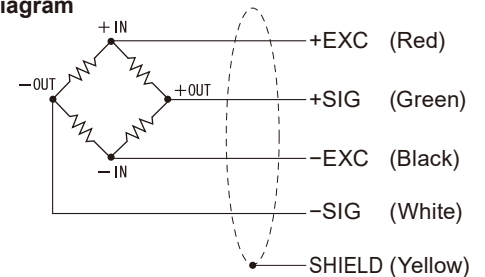
### ● Specifications

Model	UCC-10KN	UCC-20KN	
Rated capacity	10	20	kN
Rated output	1±20%		mV/V
Safe overload	120		%R.C.
Zero balance	±10		%R.O.
Non-linearity	0.5		%R.O.
Hysteresis	0.5		%R.O.
Repeatability	0.2		%R.O.
Compensated temperature range	0 ~ +50		°C
Safe temperature range	-10 ~ +60		°C
Temperature effect on zero	0.5		%R.O./10°C
Temperature effect on span	0.5		%R.O./10°C
Input resistance	Approx. 350		Ω
Output resistance	Approx. 350		Ω
Recommended excitation voltage	2.5		V
Maximum excitation voltage	5		V
Insulation resistance (DC50V)	10000 or more		MΩ
Cable	φ 2 4-conductor shield cable. Length 2m. End treatment 5-leads.		
Loadcell material	Stainless steel		

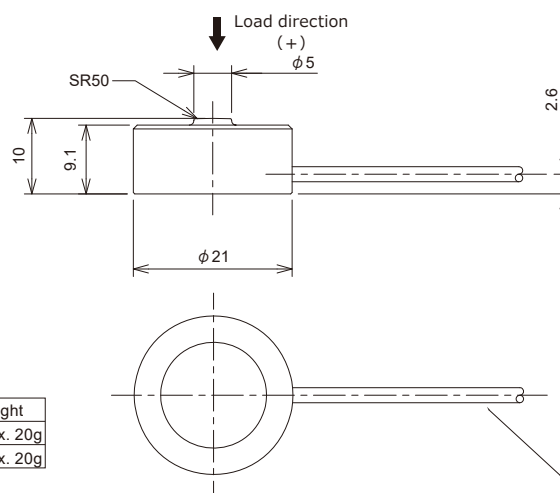
### ● Application example



### ● Wiring diagram



### External dimension



Unit: mm

Model	Deflection at rated	Natural frequency	Weight
UCC-10KN	0.030mm	Approx. 54kHz	Approx. 20g
UCC-20KN	0.045mm	Approx. 55kHz	Approx. 20g

φ 2 4-conductor shield cable. Length 2m. End treatment 5-leads.\*

\* Connector can be attached to the cable according to your requests.

\*Please note that specifications or designs shown in this catalog may vary due to our continuous product improvement activities.

[www.unipulse.tokyo/en/](http://www.unipulse.tokyo/en/)

## Unipulse Corporation

International Sales Department  
9-11 Nihonbashi Hisamatsu-cho,  
Chuo-ku, Tokyo 103-0005  
Tel: +81-3-3639-6121  
Fax: +81-3-3639-6130

Headquarter:

9-11 Nihonbashi Hisamatsu-cho, Chuo-ku, Tokyo 103-0005

Technical Center:

1-3 Sengendainishi, Koshigaya, Saitama 343-0041

Nagoya Sales Office:

TOMITA Bldg 2-5 Ushijimacho, nishi-ku, Nagoya 451-0046

Osaka Sales Office:

Sumitomo Seimei Shin Osaka Kita Bldg 4-1-14 Miyahara, Yodogawa-ku, Osaka 532-0003

Hiroshima Sales Office:

Hiroshima Dai-ichi Seimei OS Bldg 1-2-21 Matoba-cho, Minami-ku, Hiroshima 732-0824