

UNLS

COMPACT COMPRESSION TYPE LOAD CELL

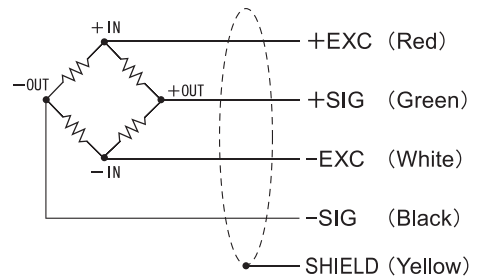


REAL SIZE

Specifications

Model	UNLS-500N, UNLS-500N-FG, UNLS-1KN, UNLS-1KN-FG, UNLS-2KN, UNLS-2KN-FG, UNLS-5KN, UNLS-5KN-FG	
Rated capacity	500, 1k, 2k, 5k	N
Rated output	1±20%	mV/V
Safe overload	150	%R.C.
Maximum safe overload	200	%R.C.
Zero balance	±10	%R.O.
Non-linearity	1.0	%R.O.
Hysteresis	1.0	%R.O.
Repeatability	1.0	%R.O.
Compensated temperature range	0 to +50	°C
Safe temperature range	0 to +60	°C
Temperature effect on zero	0.5	%R.O./10°C
Temperature effect on span	0.5	%R.O./10°C
Input resistance	Approx. 350	Ω
Output resistance	Approx. 350	Ω
Recommended excitation voltage	2.5	V
Maximum excitation voltage	5	V
Insulation resistance(DC50V)	1000 or more	MΩ
Cable	φ3 4 conductor shield cable 2m End treatment 5 leads.	
Load cell material	Stainless steel	

Wiring Diagram



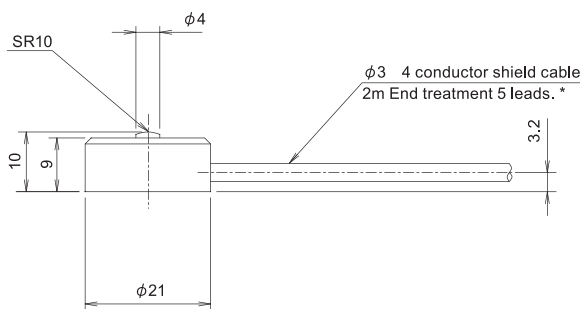
UNLS-FG

With fastening plate

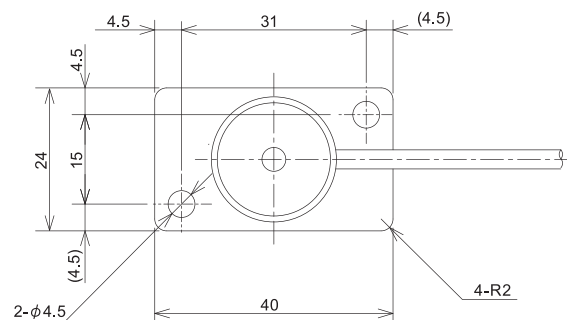


External dimension

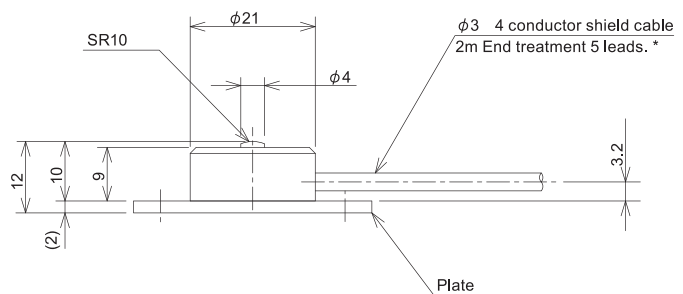
UNLS



UNLS-FG



Model	Deflection at rated	Natural frequency	Weight
UNLS-500N	0.01mm	60kHz	20g
UNLS-500N-FG			35g
UNLS-1KN	0.01mm	85kHz	20g
UNLS-1KN-FG			35g
UNLS-2KN	0.01mm	98kHz	20g
UNLS-2KN-FG			35g
UNLS-5KN	0.01mm	102kHz	20g
UNLS-5KN-FG			35g



* Connector can be attached to the cable according to your requests. Refer to 48 pages for details.

Unit: mm