

UNCLB

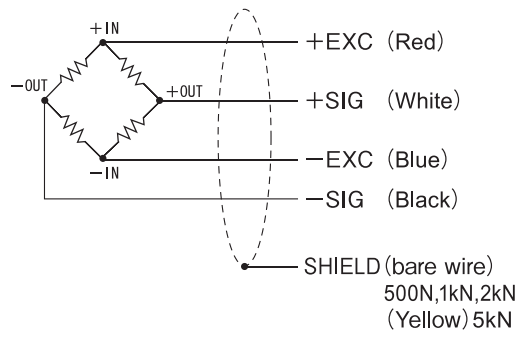
TENSION/COMPRESSION TYPE LOAD CELL



Specifications

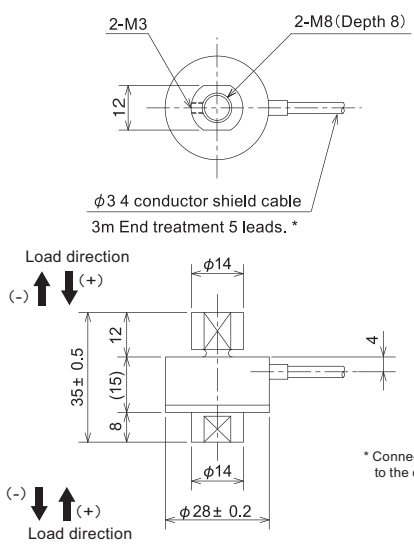
Model	UNCLB-500N	UNCLB-1KN	UNCLB-2KN	UNCLB-5KN	
Rated capacity	500	1k	2k	5k	N
Rated output	0.5±10%	1±10%	1.5±10%	2±0.5%	mV/V
Safe overload	120			150	%R.C.
Zero balance	±10				%R.O.
Non-linearity	0.5		0.15		%R.O.
Hysteresis	0.5		0.15		%R.O.
Repeatability	0.3		0.1		%R.O.
Compensated temperature range	-10 to +60				°C
Safe temperature range	-20 to +70				°C
Temperature effect on zero	0.5				%R.O./10°C
Temperature effect on span	0.5				%R.O./10°C
Input resistance	Approx. 350				Ω
Output resistance	Approx. 350				Ω
Recommended excitation voltage	2.5		10		V
Maximum excitation voltage	6		15		V
Insulation resistance (DC50V)	1000 or more				MΩ
Cable	φ3 4 conductor shield cable 3m End treatment 5 leads.			φ6 4 conductor shield cable 5m End treatment 5 leads.	
Load cell material	Stainless steel				

Wiring Diagram

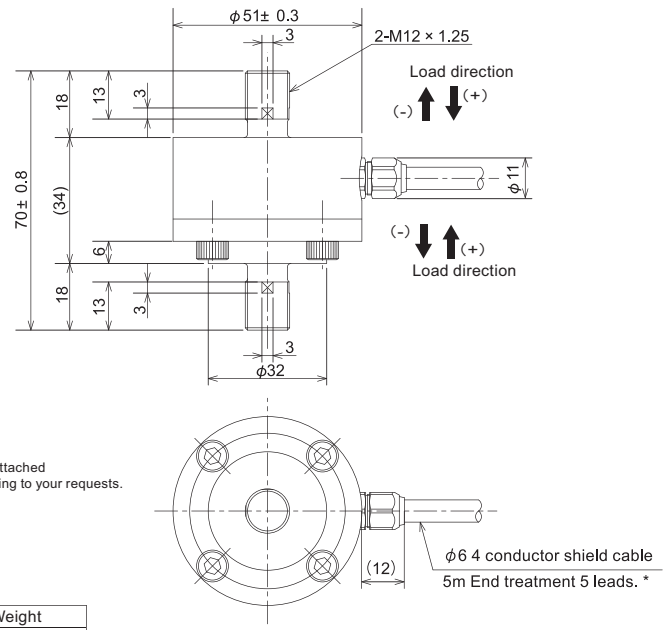


External dimension

UNCLB-500N/1KN/2KN



UNCLB-5KN



Model	Deflection at rated	Natural frequency	Weight
UNCLB-500N	0.01mm	16kHz	85g
UNCLB-1KN	0.02mm	16kHz	85g
UNCLB-2KN	0.03mm	19kHz	85g
UNCLB-5KN	0.06mm	10kHz	500g

Unit: mm