

# HLCB1 BEAM TYPE LOAD CELL



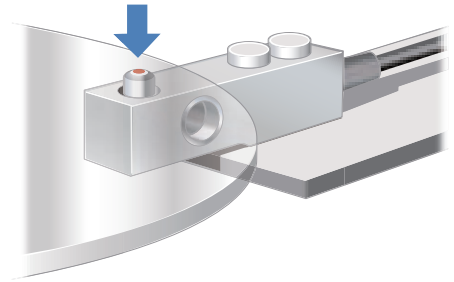
**IP68**

- Hermetically sealed

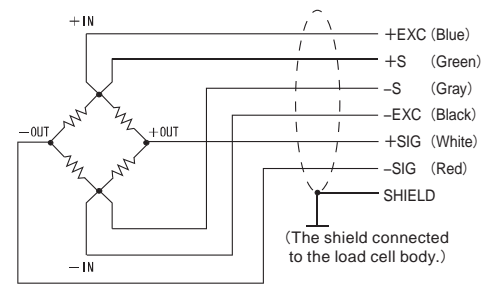
## Specifications

Model	HLCB1-110KG	HLCB1-220KG, HLCB1-550KG, HLCB1-1100KG, HLCB1-1760KG	HLCB1-2T	HLCB1-4.4T	HLCB1-10T	
Rated capacity	110kg	220kg, 550kg, 1100kg, 1760kg	2t	4.4t	10t	
Rated output	1.94±0.5%		2.00±0.1%	1.94±0.1%	2.00±0.5%	mV/V
Safe overload			150			%R.C.
Max. safe overload			300			%R.C.
Max. safe side overload			100			%R.C.
Zero balance	—	±5.2	±0.5		—	%R.O.
Non-linearity	0.05	0.04	0.0170		0.05	%R.O.
Hysteresis	0.05	0.04	0.0170		0.05	%R.O.
Creep	0.05	0.04	0.0166		0.05	%R.O./30min
Compensated temp. range	-10 to +40					°C
Temp. effect on zero	0.04	0.04	0.0140		0.04	%R.O./10°C
Temp. effect on span	0.042	0.04	0.0140		0.042	%R.O./10°C
Input resistance	350 to 480	350 or more		350 to 490	350 to 480	Ω
Output resistance	350±2	350±0.12		350±2		Ω
Max. excitation voltage	15					V(AC,DC)
Insulation resistance	5000 or more					MΩ
Cable	6-conductor color shield cable 3m (110 to 1760kg) 6m (2t to 10t)					
Load cell material	Stainless steel					

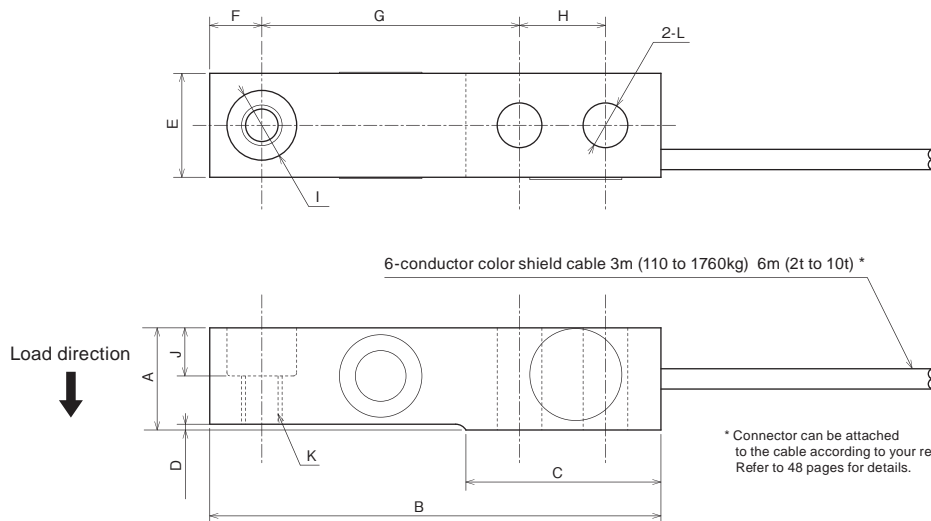
- Application Example



- Wiring Diagram



## External dimension



Unit: mm

Model	Weight	Deflection at rated	A	B	C	D	E	F	G	H	φI	J	K	φL
HLCB1-110KG	0.9kg	—	30.2	133.4	57.7	1.7	30.7	15.4	76.2	25.4	20.6	14.2	M12	13
HLCB1-220KG	0.9kg	0.5mm	30.2	133.4	57.7	1.7	30.7	15.4	76.2	25.4	20.6	14.2	M12	13
HLCB1-550KG	0.9kg	0.5mm	30.2	133.4	57.7	1.7	30.7	15.4	76.2	25.4	20.6	14.2	M12	13
HLCB1-1100KG	0.9kg	0.5mm	30.2	133.4	57.7	1.7	30.7	15.4	76.2	25.4	20.6	14.2	M12	13
HLCB1-1760KG	0.9kg	1.4mm	30.2	133.4	51.7	1.7	30.7	15.4	76.2	25.4	20.6	14.2	M12	13
HLCB1-2T	1.8kg	0.4mm	36.51	171.5	76.2	2.54	36.78	19.1	95.25	38.1	30.22	16.99	M20	20.5
HLCB1-4.4T	2.2kg	0.5mm	42.9	171.5	76.2	2.54	42.93	19.1	95.25	38.1	30.22	20.1	M20	20.5
HLCB1-10T	6.2kg	—	72.9	245.1	119.9	11.2	60	30.2	134.9	50±0.05	51±0.2	20	φ32	27