

LC1111/LC1111 (DC)

PLUG-IN TYPE LOAD CELL CONVERTER



- Compact type: 38W×93.5H×50Dmm
- Built-in excitation voltage. Up to 4 350Ω load cells can be connected in parallel.
- Current output of 4 to 20mA
- Simple design for a wide variety of applications and instrumentations.

Structure of product code



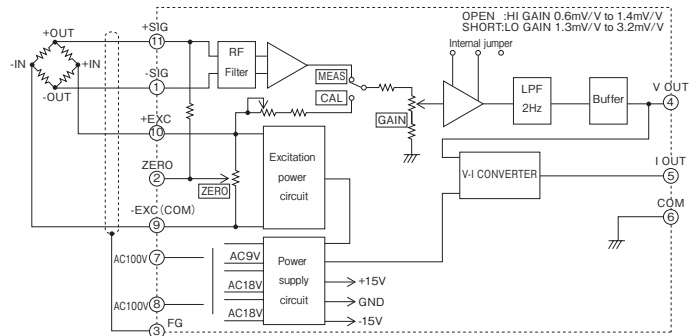
① Standard unit

Model	Power supply voltage
LC1111	AC100V
LC1111 (DC)	DC12 to 24V

Specifications

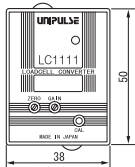
EXCITATION VOLTAGE	DC5V±5% Output current: within 60mA (Up to 4 350Ω load cells can be connected in parallel.)
ZERO ADJUSTMENT RANGE	±0.4mV/V (at bridge resistance 350Ω) 20 turn trimmer potentiometer Expandable by external resistance connection if the above range is exceeded.
GAIN ADJUSTMENT RANGE	0.6mV/V to 1.4mV/V (HI range) 1.3mV/V to 3.2mV/V (LO range) Range selectable with the internal jumper.
ACCURACY	Non-linearity within 0.02%/FS Zero drift within 1μV/°C RTI Gain drift within 0.01%/°C Noise within 1μVp-p RTI (2Hz)
OUTPUT SIGNAL	Voltage output: 0 to ±10V Load resistance: 2kΩ or more Current output: 4 to 20mA Load resistance: 500Ω or less
LOW-PASS FILTER	Low-pass filter (-6dB/oct.) 2Hz/-3dB
CALIBRATION VALUE	1mV/V
POWER SUPPLY VOLTAGE	AC100V ±10% 50/60Hz It specifies DC12 to 24V ±15% (LC1111 (DC)) at time of order.
POWER CONSUMPTION	AC spec : Approx. 2VA DC spec : Approx. 2W
OPERATION CONDITION	Working temperature range: -10 to +40°C Humidity:85% RH or less (non-condensing)
DIMENSIONS	38(W)×93.5(H)×50(D) mm
WEIGHT	Approx.300g
ATTACHMENTS	Special-purpose socket..... 1 Fixing spring 1 Adjusting screwdriver 1 Operation manual 1

Internal block diagram

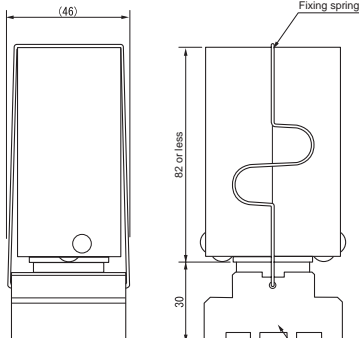
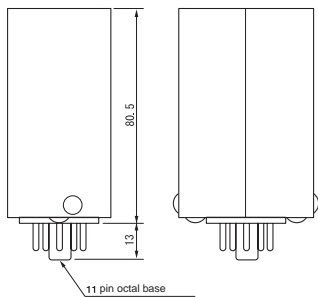


External dimension

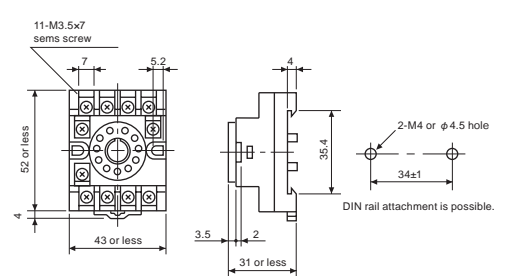
(Top view)



(Side view)



Socket



Unit mm

State in which the fixing spring is mounted