

B412 JUNCTION BOX

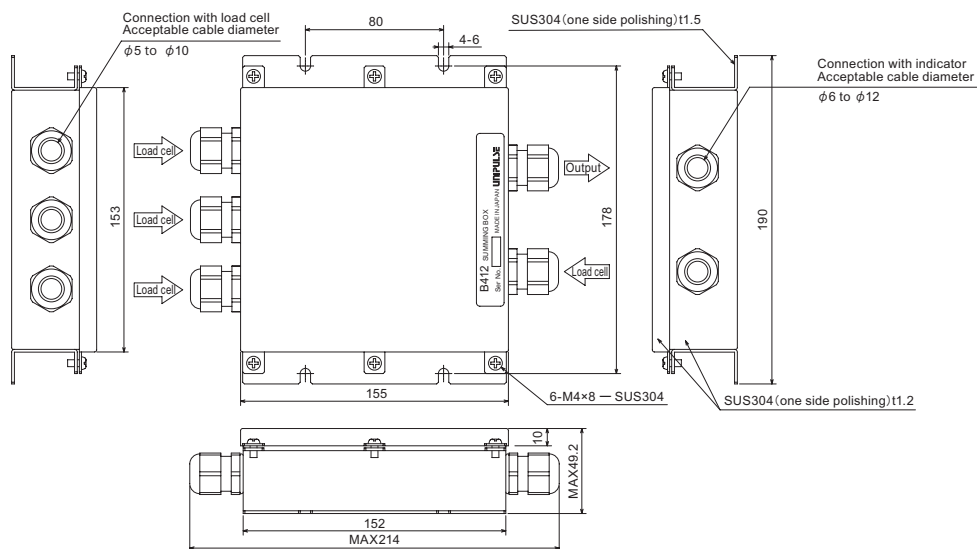


- Up to 4 units of load cells can be connected in parallel
- Made of stainless steel
- Dustproof and waterproof type

Specifications

Clamp for cable fixation	Connection with load cell (four): Acceptable cable diameter 5 to 10φ Connection with indicator (one): Acceptable cable diameter 6 to 12φ
Number of connectable load cells	1 to 4 units
Operation condition	Temperature... Operation temperature range: -20 to +60°C Storage temperature range: -40 to +80°C
Weight	Approx. 1.3kg
Attachments	Mini driver..... 1 Silica gel..... 1 Waterproof stick..... 4 Operation manual..... 1 (Factory-installed)

External dimension



Unit: mm